

Dimension: 1.5" w x 0.5" h

SR05

LAMINATE SURFACE REDUCER

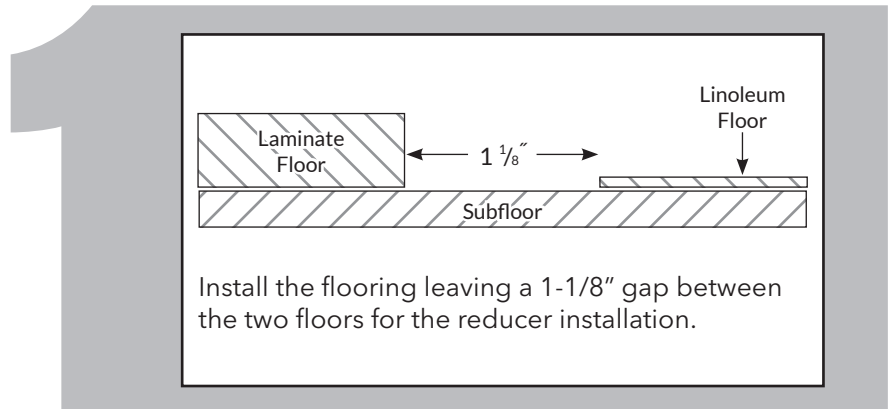
Used to fill the gap between two floors of unequal height.

Used with floors 7-9mm in height.

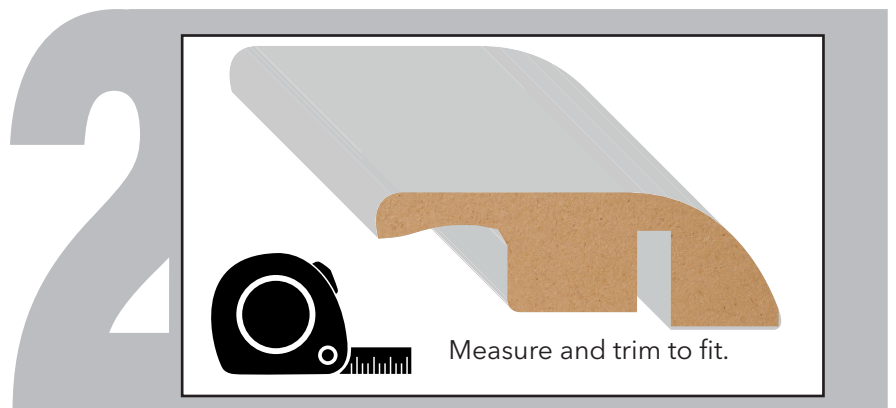
*For concrete use appropriate
Rawl Plugs (Not Included)*

*Glue with construction adhesive
(do not glue floor)*

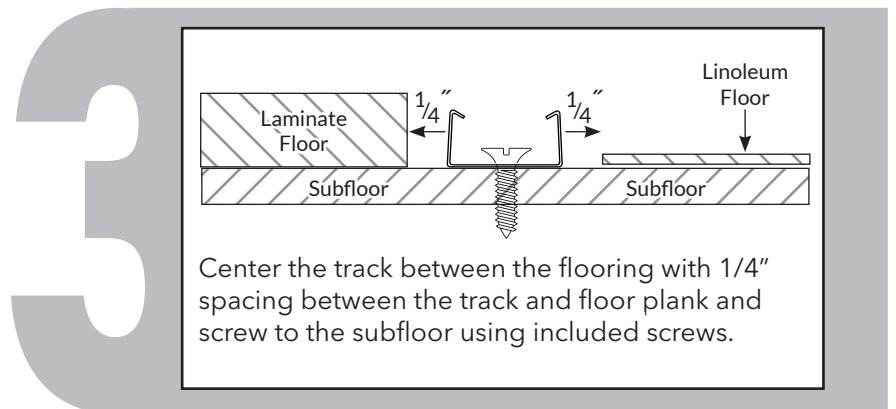
Surface: Wear resistant laminate
Core Material: Moisture resistant MDF



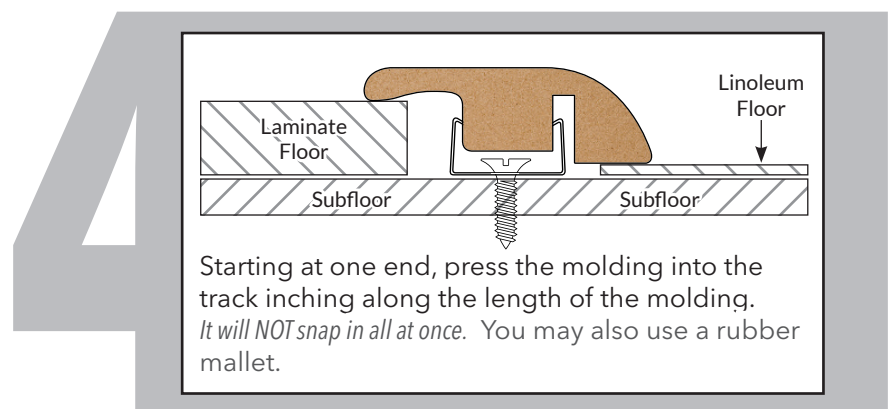
Install the flooring leaving a 1-1/8" gap between the two floors for the reducer installation.



Measure and trim to fit.



Center the track between the flooring with 1/4" spacing between the track and floor plank and screw to the subfloor using included screws.



Starting at one end, press the molding into the track inching along the length of the molding. *It will NOT snap in all at once.* You may also use a rubber mallet.