

Dimension: 1.375" w x 0.5" h

ECO5 LAMINATE END CAP

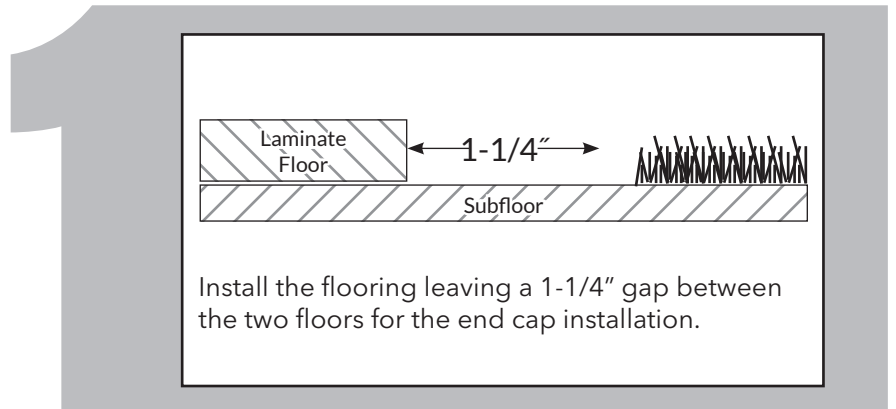
Used to fill the gap between the floor and carpet, hearths or against sliding doors.

Used with floors 7-9mm in height.

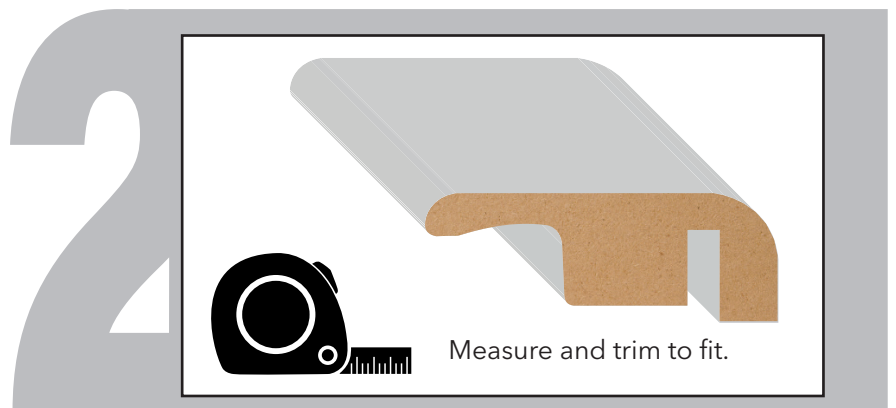
For concrete use appropriate RAWL PLUGS

Glue with construction adhesive (do not glue floor)

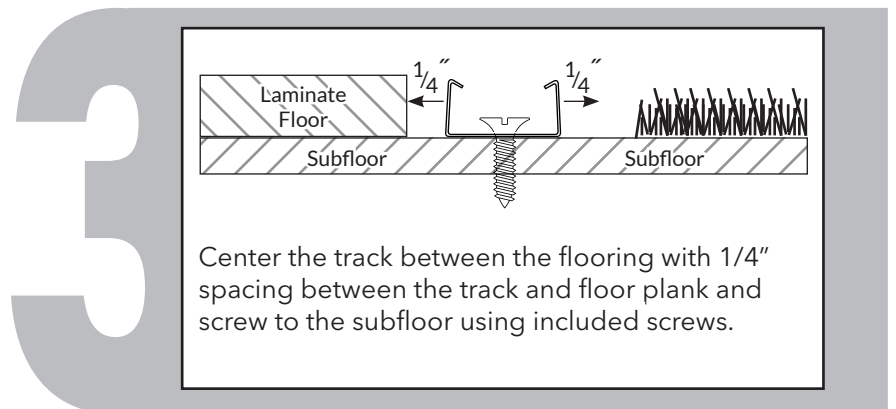
Surface: Wear resistant laminate
Core Material: Moisture resistant MDF



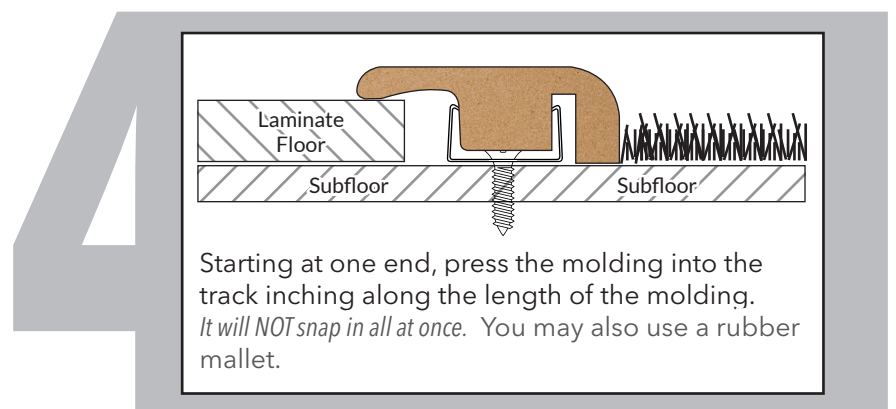
Install the flooring leaving a 1-1/4" gap between the two floors for the end cap installation.



Measure and trim to fit.



Center the track between the flooring with 1/4" spacing between the track and floor plank and screw to the subfloor using included screws.



Starting at one end, press the molding into the track inching along the length of the molding. *It will NOT snap in all at once.* You may also use a rubber mallet.