

Dimension: 1.89" w x 0.50" h

V-SR-10

WATERPROOF SURFACE REDUCER

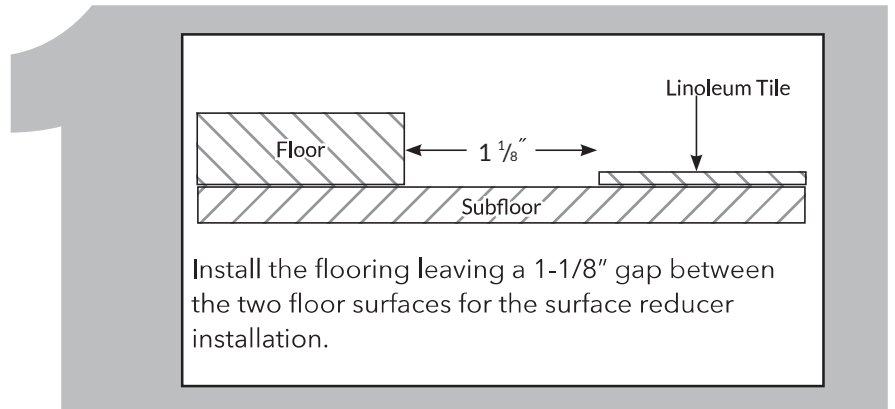
Used to fill the gap between two floors of unequal height.

Used with floors ranging from 8-12mm height.

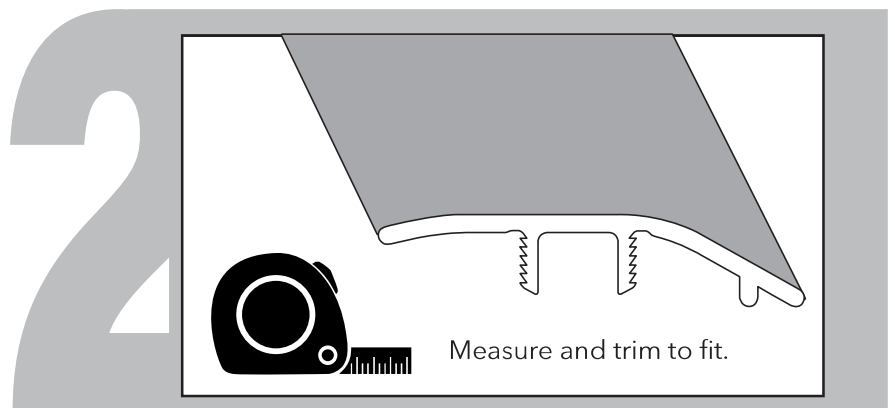
For concrete use appropriate Rawl Plugs (Not Included)

Glue with construction adhesive (do not glue floor)

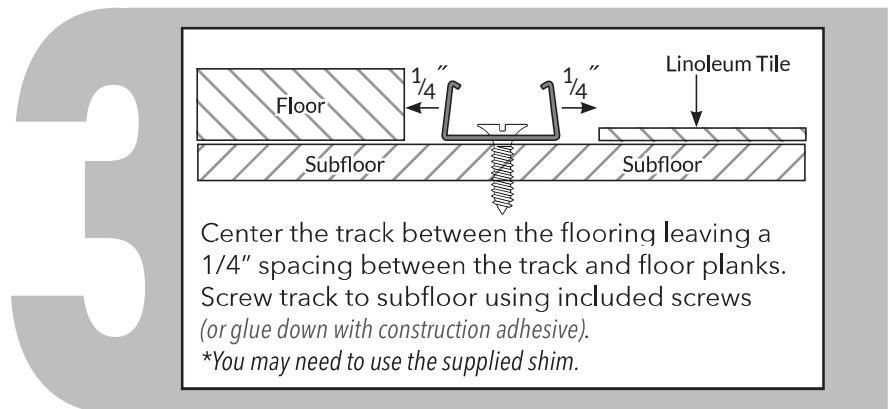
Surface: Wear resistant
Core Material: Rigid PVC



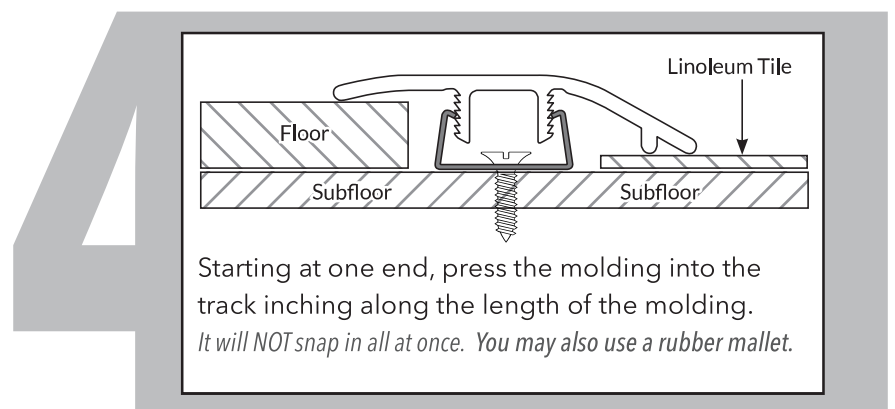
Install the flooring leaving a 1-1/8" gap between the two floor surfaces for the surface reducer installation.



Measure and trim to fit.



Center the track between the flooring leaving a 1/4" spacing between the track and floor planks. Screw track to subfloor using included screws (or glue down with construction adhesive).
**You may need to use the supplied shim.*



Starting at one end, press the molding into the track inching along the length of the molding. It will NOT snap in all at once. You may also use a rubber mallet.