

Dimension: 1.89" w x 0.50" h

# V-SR-18

## WATERPROOF SURFACE REDUCER

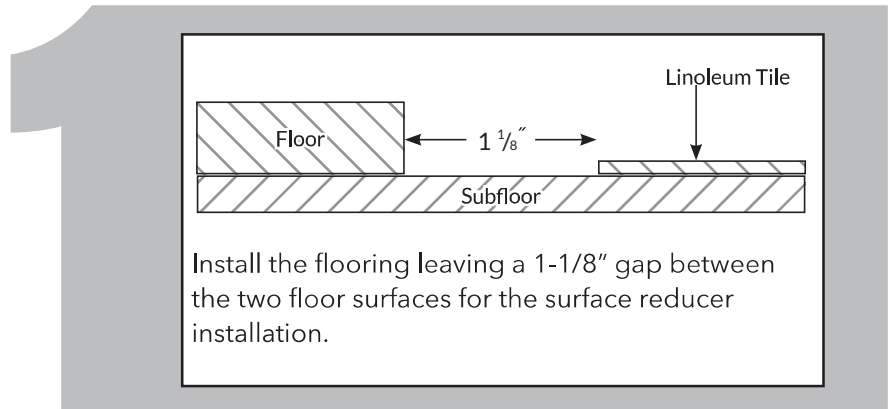
Used to fill the gap between two floors of unequal height.

Used with floors ranging from 6-9mm height.

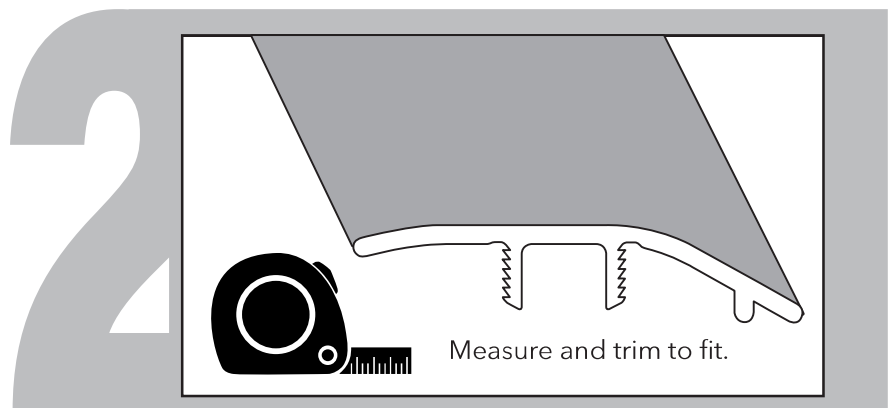
*For concrete use appropriate Rawl Plugs (Not Included)*

*Glue with construction adhesive (do not glue floor)*

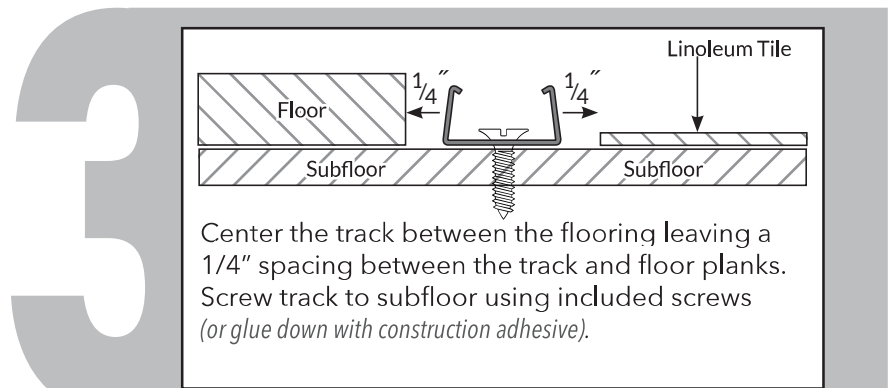
**Surface:** Wear resistant  
**Core Material:** Rigid PVC



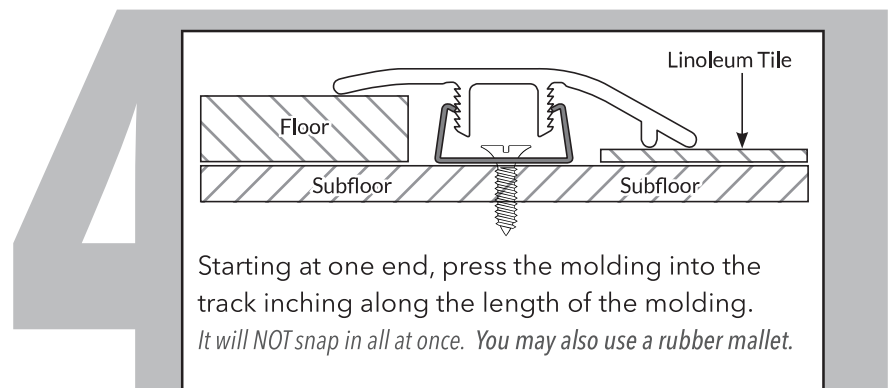
Install the flooring leaving a 1-1/8" gap between the two floor surfaces for the surface reducer installation.



Measure and trim to fit.



Center the track between the flooring leaving a 1/4" spacing between the track and floor planks. Screw track to subfloor using included screws (or glue down with construction adhesive).



Starting at one end, press the molding into the track inching along the length of the molding. It will NOT snap in all at once. You may also use a rubber mallet.